

RAYSAN

Flexible Barrier
POLYGUARD
PuffyGuard

RACK LEG PROTECTION

DESIGNED FOR EASY ASSEMBLY, THIS BARRIER IS PERFECT FOR REDUCING DAMAGE TO RACK LEGS IN STORAGE AREAS WITH TRANSPORT AND LOADING VEHICLE TRAFFIC. SPECIFICALLY ENGINEERED TO PROTECT RACK LEGS FROM CONSTANT IMPACTS, IT MINIMIZES WEAR AND TEAR CAUSED BY TRANSPORT AND STACKING VEHICLES, ENSURING LONG-TERM DURABILITY AND SAFETY. ITS ROBUST CONSTRUCTION HELPS MAINTAIN THE INTEGRITY OF STORAGE SYSTEMS, REDUCING REPAIR COSTS AND OPERATIONAL DISRUPTIONS.

RAYSAN

STRONG AND LIGHTWEIGHT

Thanks to its unique chemical formula, our barrier surpasses steel barriers in both strength and weight. It is significantly lighter while maintaining its exceptional durability.

MODULAR

Thanks to its modular design, our barrier effortlessly adapts to the changing needs of your facility. This flexible solution is extremely easy to install, assemble, disassemble, relocate and organize.

NO CORROSION

Unlike steel barriers, our barriers are made of durable polymer materials, making them unaffected by environmental elements such as sunlight and rainwater.

NO PAINT AND MAINTENANCE NEEDED

Unlike Raysan's steel barriers that require regular painting and maintenance, our self-colored structure eliminates the need for these processes. Even if the barrier is scratched due to an impact, its surface retains its original color without any change.

ULTRAVIOLET RESISTANT

Our barriers are designed with exceptional resistance to UV radiation. Their chemical structure remains intact even after prolonged outdoor use, ensuring long-term durability.

ANTIBACTERIAL

Our barriers have an exceptional chemical formula that prevents them from having any chemical reaction with the substances they come into contact with.

EXPERIENCE **UNPARALLELED STRENGTH** WITH OUR **ADVANCED POLYMER**, CRAFTED FROM A **PREMIUM BLEND OF SOPHISTICATED POLYOLEFINS AND RUBBER ADDITIVES**. THIS **EXCLUSIVE COMPOSITION** DELIVERS **UNMATCHED DURABILITY AND FLEXIBILITY**. OUR **CUTTING-EDGE ENGINEERING PROCESS REORIENTS THE MOLECULAR STRUCTURE DURING MANUFACTURING, ENDOWING THE BARRIER WITH A UNIQUE BUILT-IN MEMORY**. THIS **INNOVATIVE FEATURE ENSURES THAT THE BARRIER RECOVERS COMPLETELY AFTER IMPACTS, MAINTAINING PEAK PERFORMANCE AND RELIABILITY**.



PRODUCT SPECIFICATIONS

SMALL

Dimension [A]

75 mm - 95 mm

Dimension [B]

30 mm - 45 mm

Height Range

200 mm - 1000 mm

MEDIUM

Dimension [A]

95 mm - 105 mm

Dimension [B]

30 mm - 50 mm

Height Range

200 mm - 1000 mm

LARGE

Dimension [A]

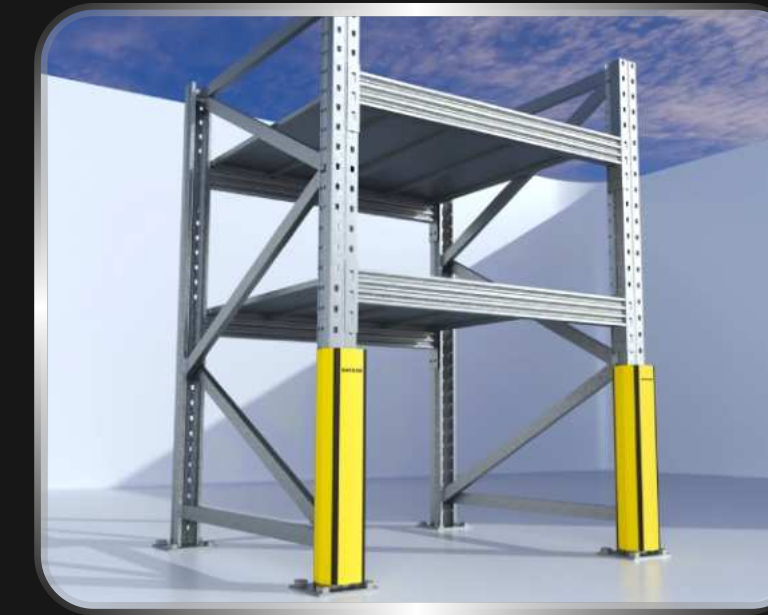
105 mm - 125 mm

Dimension [B]

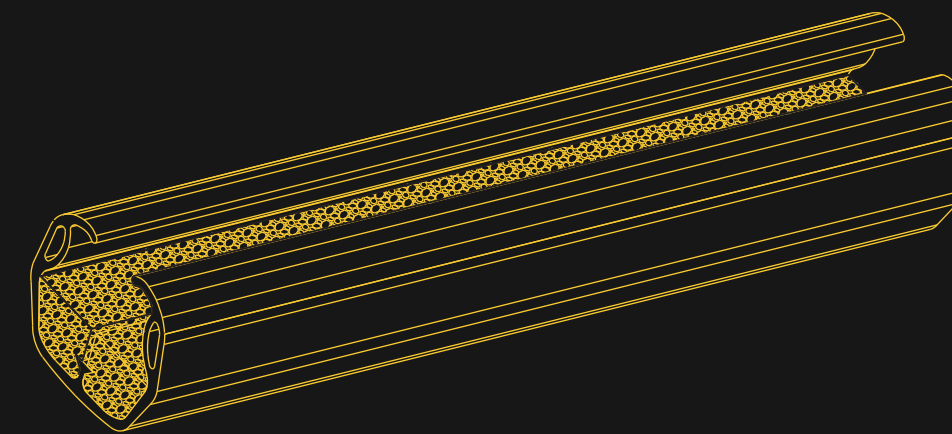
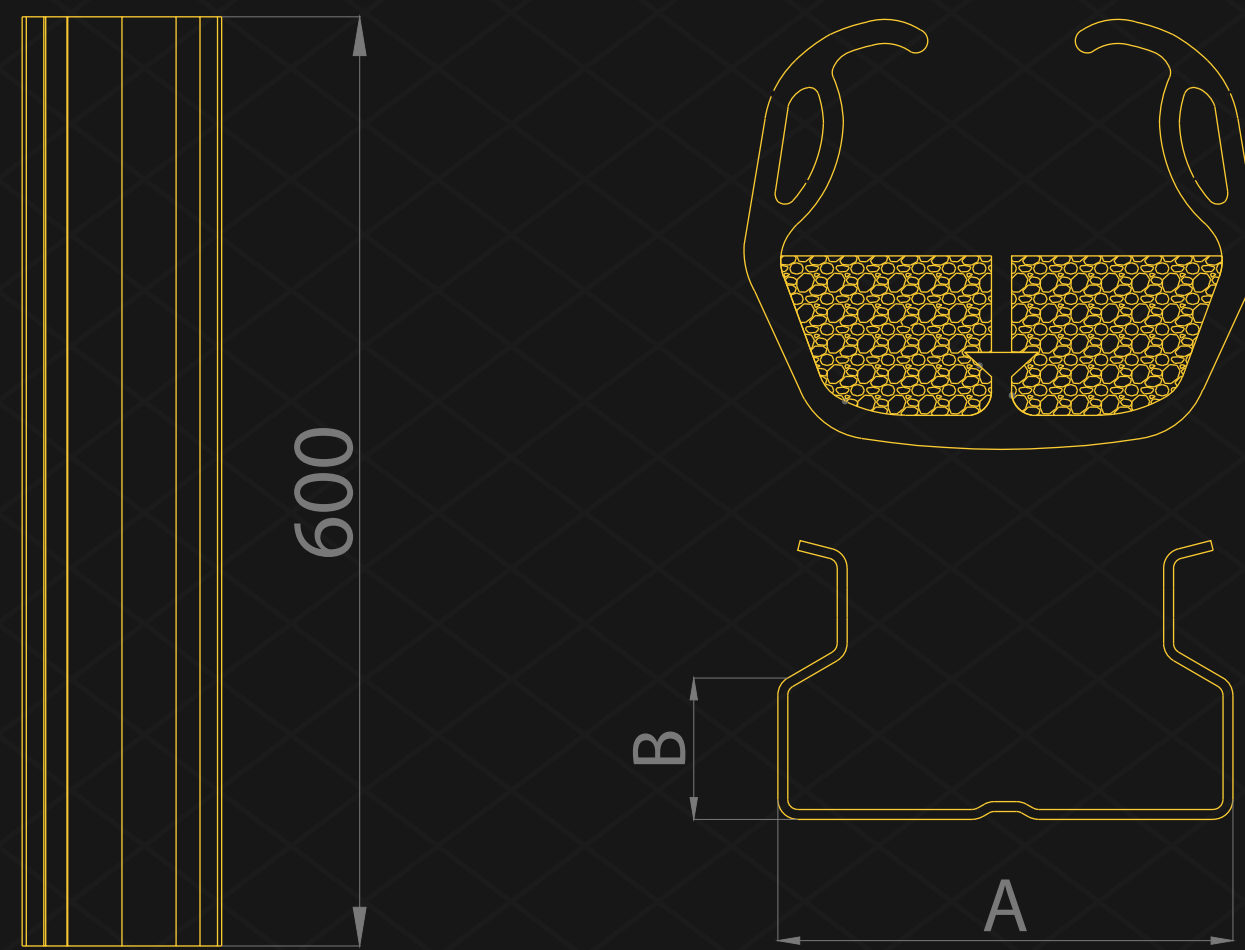
35 mm - 55 mm

Height Range

200 mm - 1000 mm



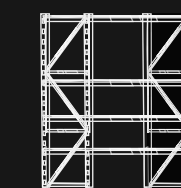
TECHNICAL DRAWING



SUITABLE FOR



SUITABLE APPLICATION



WAREHOUSE PROTECTION SOLUTIONS

IMPACT ENERGY DETAILS

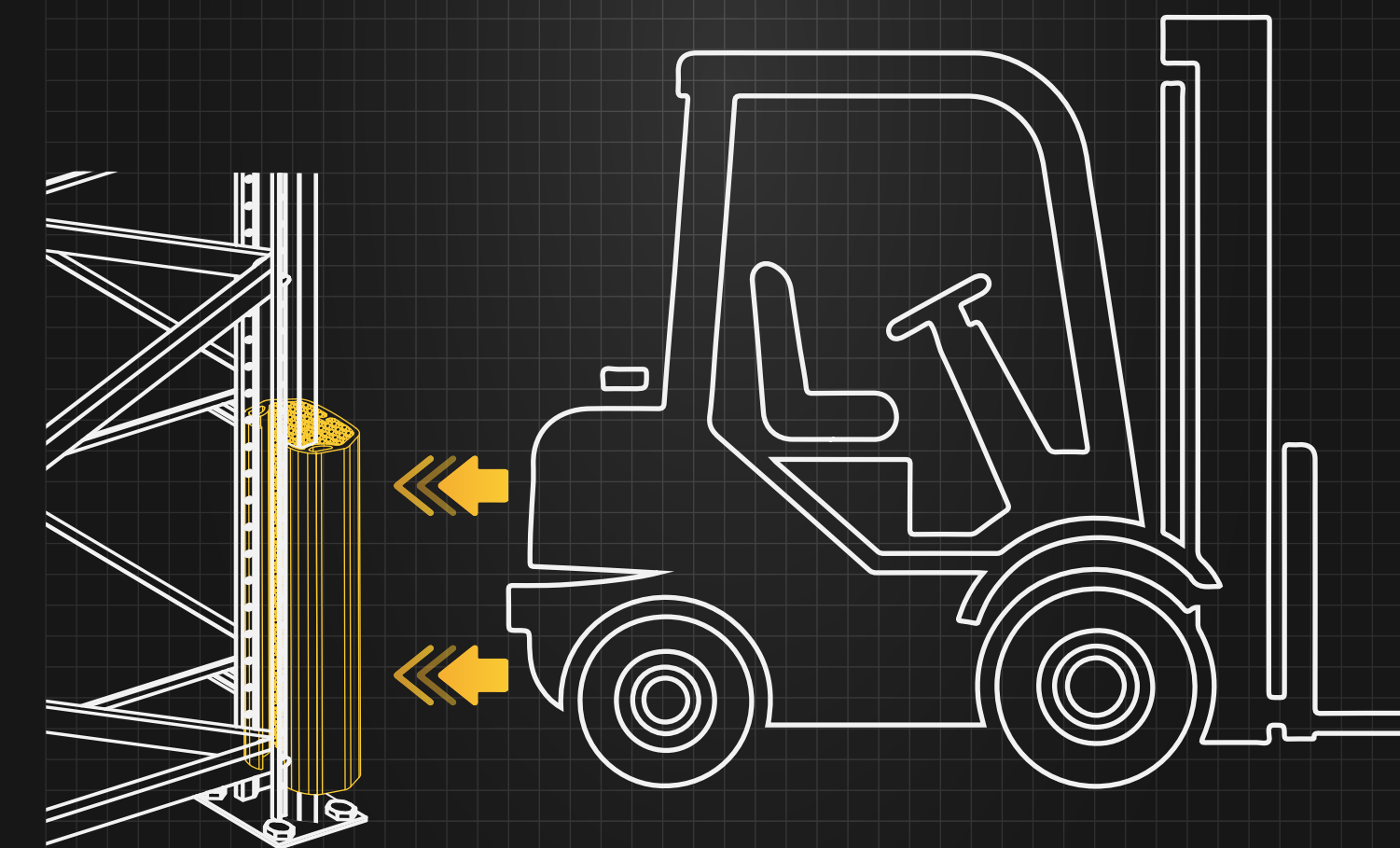
90° IMPACT

ENERGY 1.481 JOULE

MASS 2400 KG

SPEED 4 KM/H

ANGLE 90°



PROTECT WHAT MATTERS MOST

Our health and safety specialists are here to help you safeguard your facility. With free risk assessments and tailored advice, we ensure you get the perfect level of protection.

STANDART COLORS

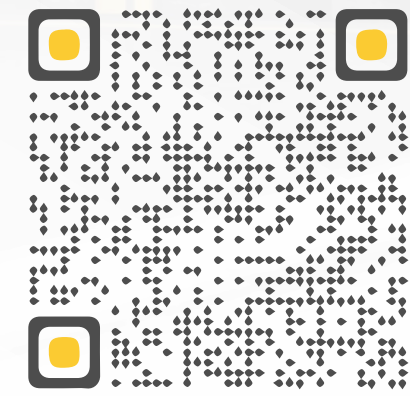
RAL 1018 PANTONE 123C

RAL 9005 PANTONE B6C

*Please note that the RAL and PANTONE colours listed are the closest match to standard RAYSAN colours, but may not be exact matches of the actual product colour and should be used for guidance only.

RAYSAN

FOLLOW US



DISCOVER MORE
about our innovative products,
exceptional services &
global network of dealers.

TÜVNORD

TÜV NORD CERT GmbH

ISO 9001

tuev-nord.de

RAYSAN

AS RAYSAN, WE ARE PROUD TO PIONEER THE FUTURE OF INDUSTRIAL SAFETY. WITH OUR STATE-OF-THE-ART FLEXIBLE PROTECTIVE BARRIERS AND SOLUTIONS, WE ARE AT THE FOREFRONT OF INNOVATION, PROTECTING WORKPLACES AROUND THE WORLD. OUR COMMITMENT TO EXCELLENCE AND UNWAVERING DEDICATION TO ADVANCING SAFETY STANDARDS HAS PROPELLED US TO THE TOP OF THE INDUSTRY.

YOUR TRUSTED PARTNER